

|      |                                                                                                                                                        |       |       |   |   |   |   |   |    |      |         |       |       |  |  |  |  |
|------|--------------------------------------------------------------------------------------------------------------------------------------------------------|-------|-------|---|---|---|---|---|----|------|---------|-------|-------|--|--|--|--|
| 1    | 2                                                                                                                                                      | 3     | 4     | 5 | 6 | 7 | 8 | 9 | 10 |      |         |       |       |  |  |  |  |
| A    | APPARATSKÅP SEE COOLING (EBMPAPST)                                                                                                                     |       |       |   |   |   |   |   |    |      |         |       |       |  |  |  |  |
| B    | INNEHÅLLSFÖRTECKNING 1                                                                                                                                 |       |       |   |   |   |   |   |    |      |         |       |       |  |  |  |  |
| C    | APPARATPLACERING 2                                                                                                                                     |       |       |   |   |   |   |   |    |      |         |       |       |  |  |  |  |
|      | APPARATLISTA 3                                                                                                                                         |       |       |   |   |   |   |   |    |      |         |       |       |  |  |  |  |
|      | HUVUDKRETSSCHEMA 4                                                                                                                                     |       |       |   |   |   |   |   |    |      |         |       |       |  |  |  |  |
|      | MANÖVERKRETSSCHEMA 5 - 7                                                                                                                               |       |       |   |   |   |   |   |    |      |         |       |       |  |  |  |  |
| D    | YTTRE ANSLUTNINGSSCHEMA 8 - 10                                                                                                                         |       |       |   |   |   |   |   |    |      |         |       |       |  |  |  |  |
| E    |                                                                                                                                                        |       |       |   |   |   |   |   |    |      |         |       |       |  |  |  |  |
| F    |                                                                                                                                                        |       |       |   |   |   |   |   |    |      |         |       |       |  |  |  |  |
| G    |                                                                                                                                                        |       |       |   |   |   |   |   |    |      |         |       |       |  |  |  |  |
| H    | <table border="1"> <tr> <td>REV.</td> <td>ÄNDRING</td> <td>SIGN.</td> <td>DATUM</td> </tr> <tr> <td></td> <td></td> <td></td> <td></td> </tr> </table> |       |       |   |   |   |   |   |    | REV. | ÄNDRING | SIGN. | DATUM |  |  |  |  |
| REV. | ÄNDRING                                                                                                                                                | SIGN. | DATUM |   |   |   |   |   |    |      |         |       |       |  |  |  |  |
|      |                                                                                                                                                        |       |       |   |   |   |   |   |    |      |         |       |       |  |  |  |  |



**AVS**  
ELKRAFT & AUTOMATION  
TEL +46(0) 472 162 00  
WWW.AVS-AB.COM



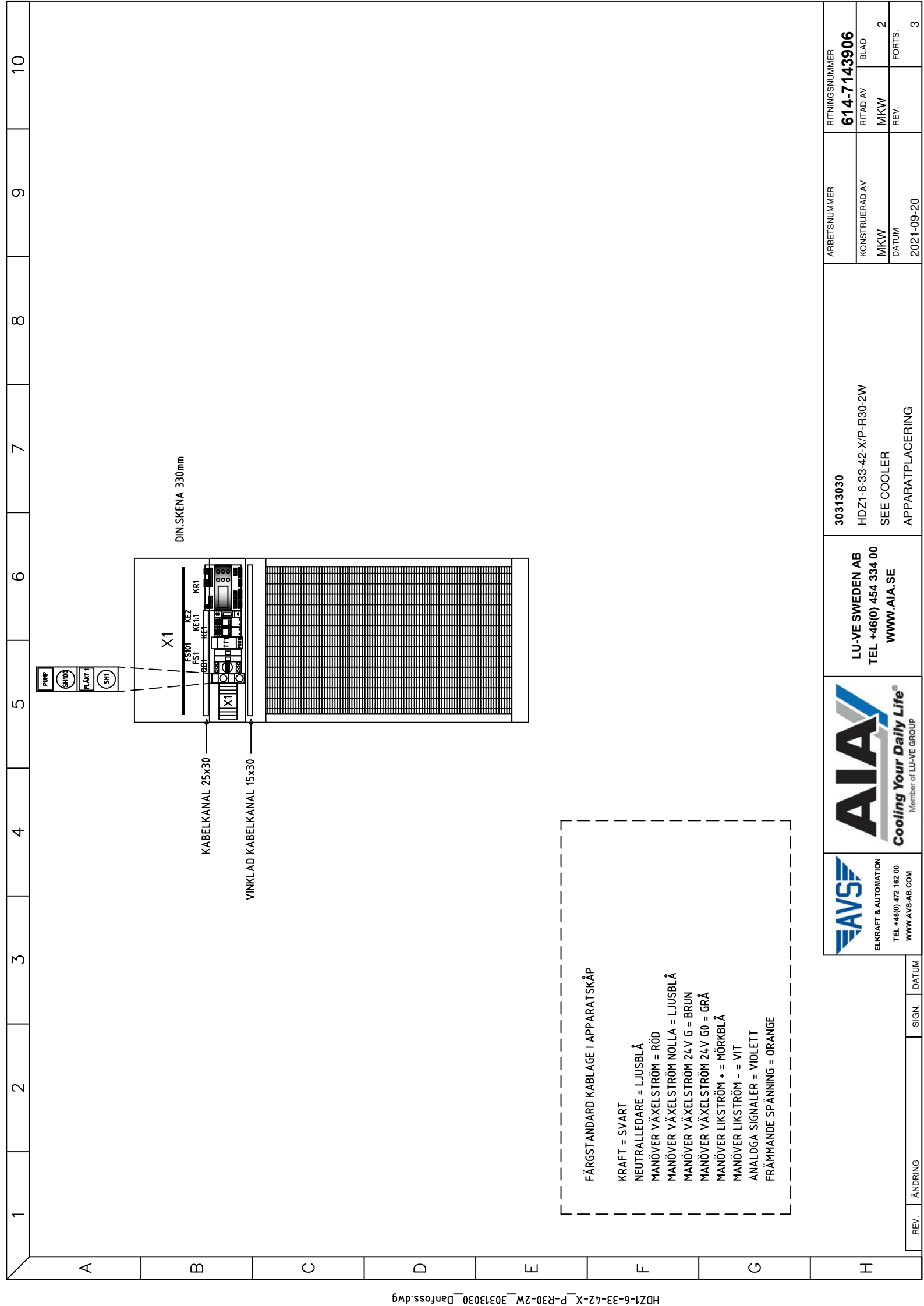
**AIA**  
**Cooling Your Daily Life®**  
Member of LU-VE GROUP

**LU-VE SWEDEN AB**  
TEL +46(0) 454 334 00  
**WWW.AIA.SE**

**30313030**  
HDZ1-6-33-42-X/P-R30-2W  
SEE COOLER  
INNEHÅLLSFÖRTECKNING

ARBETSNUMMER  
KONSTRUERAD AV  
MKW  
DATUM  
2021-09-20

RITINGSNUMMER  
**614-7143906**  
RITAD AV  
MKW  
REV.  
Forts. 1  
Forts. 2



DIN.SKENA 330mm

KABELKANAL 25x30



VINKLAD KABELKANAL 15x30

X1

FS101 KE2  
FS1 KE1H KR1  
KE1

FÄRGSTANDARD KABLAGE I APPARATSKÅP

KRAFT = SVART  
 NEUTRALLEDARE = LJUSBLÅ  
 MANÖVER VÄXELSTRÖM = RÖD  
 MANÖVER VÄXELSTRÖM NOLLA = LJUSBLÅ  
 MANÖVER VÄXELSTRÖM 24V G = BRUN  
 MANÖVER VÄXELSTRÖM 24V G0 = GRÅ  
 MANÖVER LIKSSTRÖM + = MÖRKBLÅ  
 MANÖVER LIKSSTRÖM - = VIT  
 ANALOGA SIGNALER = VIOLETT  
 FRÄMMANDE SPÄNNING = ORANGE

|                                                                                                                                                          |                                                                                                                                            |                                                               |                                                                              |                |               |   |
|----------------------------------------------------------------------------------------------------------------------------------------------------------|--------------------------------------------------------------------------------------------------------------------------------------------|---------------------------------------------------------------|------------------------------------------------------------------------------|----------------|---------------|---|
| <br>ELKRAFT & AUTOMATION<br>TEL +46(0) 472 162 00<br>WWW.AVS-AB.COM | <br>Cooling Your Daily Life®<br>Member of LU-VE GROUP | <b>LU-VE SWEDEN AB</b><br>TEL +46(0) 454 334 00<br>WWW.AIA.SE | <b>30313030</b><br>HDZ1-6-33-42-X/P-R30-2W<br>SEE COOLER<br>APPARATPLACERING | ARBETSNUMMER   | RITINGSNUMMER |   |
|                                                                                                                                                          |                                                                                                                                            |                                                               |                                                                              | KONSTRUERAD AV | 614-7143906   |   |
|                                                                                                                                                          |                                                                                                                                            |                                                               |                                                                              | MKW            | MKW           |   |
|                                                                                                                                                          |                                                                                                                                            |                                                               |                                                                              | DATUM          | REV.          |   |
| REV.                                                                                                                                                     | ÄNDRING                                                                                                                                    | SIGN.                                                         | DATUM                                                                        | 2021-09-20     | 2             | 3 |

| 1   | 2     | 3    | 4           | 5   | 6    | 7          | 8          | 9 | 10 |
|-----|-------|------|-------------|-----|------|------------|------------|---|----|
| POS | ANTAL | NAMN | TILLVERKARE | TYP | DATA | ART-NUMMER | ANMÄRKNING |   |    |
| A   |       |      |             |     |      |            |            |   |    |
| B   |       |      |             |     |      |            |            |   |    |
| C   |       |      |             |     |      |            |            |   |    |
| D   |       |      |             |     |      |            |            |   |    |
| E   |       |      |             |     |      |            |            |   |    |
| F   |       |      |             |     |      |            |            |   |    |
| G   |       |      |             |     |      |            |            |   |    |
| H   |       |      |             |     |      |            |            |   |    |

| POS       | ANTAL | NAMN           | TILLVERKARE        | TYP              | DATA                   | ART-NUMMER   | ANMÄRKNING |
|-----------|-------|----------------|--------------------|------------------|------------------------|--------------|------------|
|           | 1     | MONTERINGSPLÅT | AVS                | BAS-PLÅT         |                        | 602-1009910  |            |
|           | 1     | MONTERINGSPLÅT | AVS                | PLÅT REGULATOR   |                        | 602-1009911  |            |
|           | 1     | MONTERINGSPLÅT | AVS                | PLÅT BRYTARE     |                        | 602-1009912  |            |
|           | 2     | KABELKANAL     | CANALPLAST         | E/4              | 15X30                  | 129-2998702  |            |
|           | 1     | DIN-SKENA      | WEIDMULLER         | TS 15            | 330mm                  | 129-2929201  |            |
| QD1       | 1     | HUVUDBRYTARE   | SONTHEIMER         | HL040/4T/Z208ggr | 3-POLES                | 131-3134270  |            |
| FS1       | 1     | DVÄRGBRYTARE   | SCHNEIDER ELECTRIC | A9F07106         | iC60H 1P C6A           | 121-2112127  |            |
| FS101     | 1     | DVÄRGBRYTARE   | SCHNEIDER ELECTRIC | A9F07106         | iC60H 1P C6A           | 121-2112127  |            |
| FS100     | 1     | PLINTSÄKRING   | WEIDMULLER         | WSI 6            | 0.5A                   | 129-2919864  |            |
| (FS100)   | 1     | ÄNDPLATTA      | WEIDMULLER         | WAP 2,5-10       |                        | 129-2919921  |            |
| SH1       | 1     | MANÖVERBRYTARE | SCHNEIDER ELECTRIC | XB4BD33          | 3-FASTA POSITIONER/2NO | 137-3732626  |            |
| SH1       | 1     | HJÄLPKONTAKT   | SCHNEIDER ELECTRIC | ZBE101           | NO                     | 137-3733195  |            |
| SH1       | 1     | SKYLTHÄLLARE   | SCHNEIDER ELECTRIC | ZBZ33            | 18X27                  | 137-3733523  |            |
| SH100     | 1     | MANÖVERBRYTARE | SCHNEIDER ELECTRIC | XB4BD21          | 2-FASTA POSITIONER/1NO | 137-3732624  |            |
| SH100     | 1     | HJÄLPKONTAKT   | SCHNEIDER ELECTRIC | ZBE101           | NO                     | 137-3733195  |            |
| SH100     | 1     | SKYLTHÄLLARE   | SCHNEIDER ELECTRIC | ZBZ33            | 18X27                  | 137-3733523  |            |
| KE1-KE1:1 | 2     | RELÄ           | SCHNEIDER ELECTRIC | RXM4AB2P7        | 4-POL 230VAC           | 140-4027797  |            |
| KE1-KE1:1 | 2     | RELÄ SOCKEL    | SCHNEIDER ELECTRIC | RXZE14P          | 4-POL                  | 140-4099132  | BLADFÄDER  |
| KE2       | 1     | RELÄ           | SCHNEIDER ELECTRIC | RXGZ2B7          | 2-POL 24VAC            | 140-4001497  |            |
| KE2       | 1     | RELÄSOCKEL     | SCHNEIDER ELECTRIC | RGZE1S48M        | 2-POL                  | 140-4099149  | BLADFÄDER  |
| TT1       | 1     | TRANSFORMATOR  | TUFVASSONS         | PSS10            | 230/24VAC 10VA         | 152-5204035  | PTC SKYDD  |
| KR1       | 1     | REGULATOR      | DANFOSS            | MCX08M2          | 230VAC                 | 145-9945239  |            |
| X1        | 20    | PLINT          | WEIDMULLER         | ZDK 1,5          | SPRING TECHNOLOGY      | 129-2919488  |            |
| X1        | 2     | JORDPLINT      | WEIDMULLER         | A3C 1,5          | SPRING TECHNOLOGY      | 129-2919351  |            |
| X1        | 2     | ÄNDPLATTA      | WEIDMULLER         | AEP 2T 1,5       |                        | 129-2919391  |            |
| X1        | 1     | ÄNDSTÖD        | WEIDMULLER         | ZEW35            |                        | 129-2919930  |            |
| W         | 28    | KABELMÄRKNING  | WEIDMULLER         | 1852360000       | GUL                    | 614-714-0000 |            |
|           | 1     | EMBALLAGE      | HELMER NILSSON     | WELLOMSLAG 04.09 |                        | 380-0000094  |            |



  

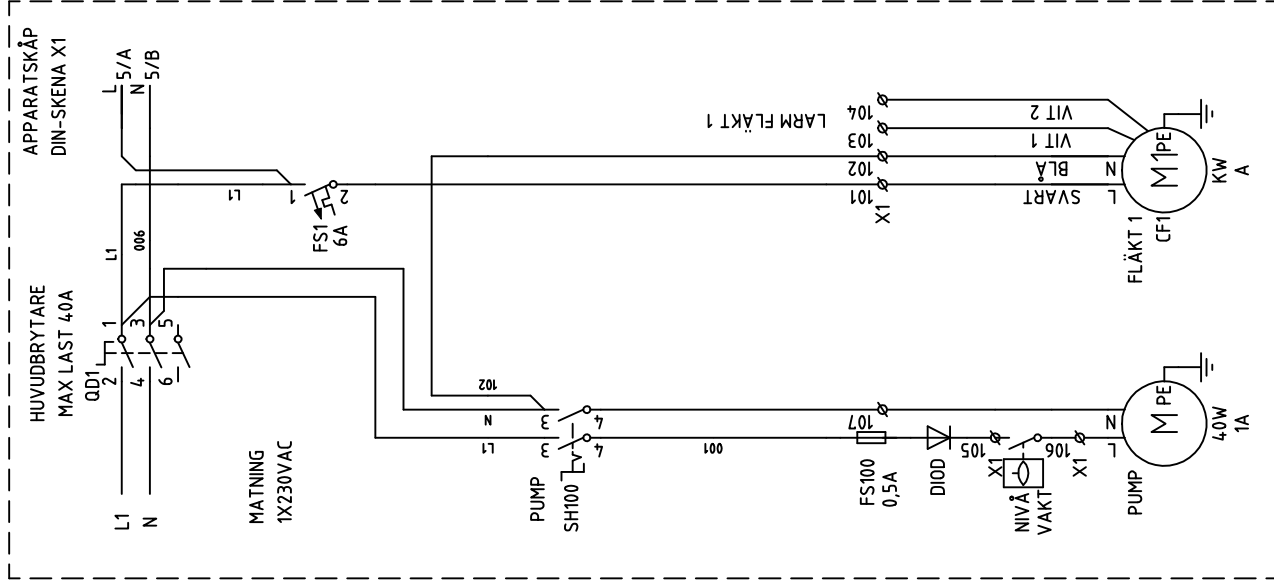
|                                      |  |
|--------------------------------------|--|
| RITTINGSNUMMER<br><b>614-7143906</b> |  |
| ARBETSNUMMER                         |  |
| KONSTRUERAD AV                       |  |
| MKW                                  |  |
| DATUM                                |  |
| 2021-09-20                           |  |

|                         |                                                        |
|-------------------------|--------------------------------------------------------|
| 30313030                | LU-VE SWEDEN AB<br>TEL +46(0) 454 334 00<br>WWW.AIA.SE |
| HDZ1-6-33-42-X/P-R30-2W |                                                        |
| SEE COOLER              |                                                        |
| APPARATLISTA            |                                                        |

|                                                                                                                                                          |         |                                                                                                                                                   |       |
|----------------------------------------------------------------------------------------------------------------------------------------------------------|---------|---------------------------------------------------------------------------------------------------------------------------------------------------|-------|
| <br>ELKRAFT & AUTOMATION<br>TEL +46(0) 472 462 00<br>WWW.AVS-AB.COM |         | <br>AIA<br>Cooling Your Daily Life®<br>Member of LU-VE GROUP |       |
| REV.                                                                                                                                                     | ÄNDRING | SIGN.                                                                                                                                             | DATUM |
|                                                                                                                                                          |         |                                                                                                                                                   |       |



ELKRAFT & AUTOMATION  
 TEL +46(0) 472 162 00  
 WWW.AVS-AB.COM

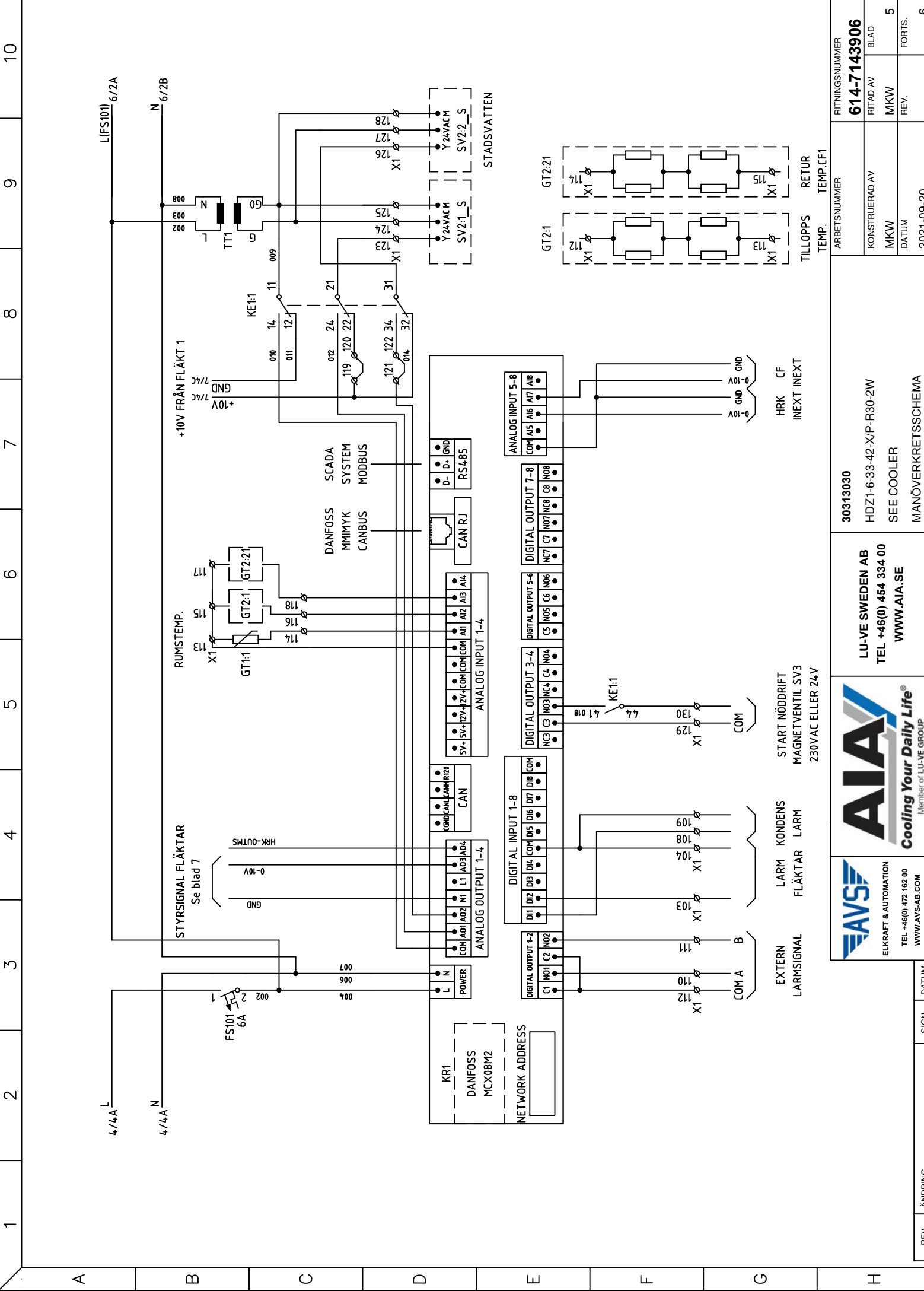


Cooling Your Daily Life®  
 Member of LU-VE GROUP

LU-VE SWEDEN AB  
 TEL +46(0) 454 334 00  
 WWW.AIA.SE

30313030  
 HDZ1-6-33-42-X/P-R30-2W  
 SEE COOLER  
 HUVUDKRETSSCHEMA

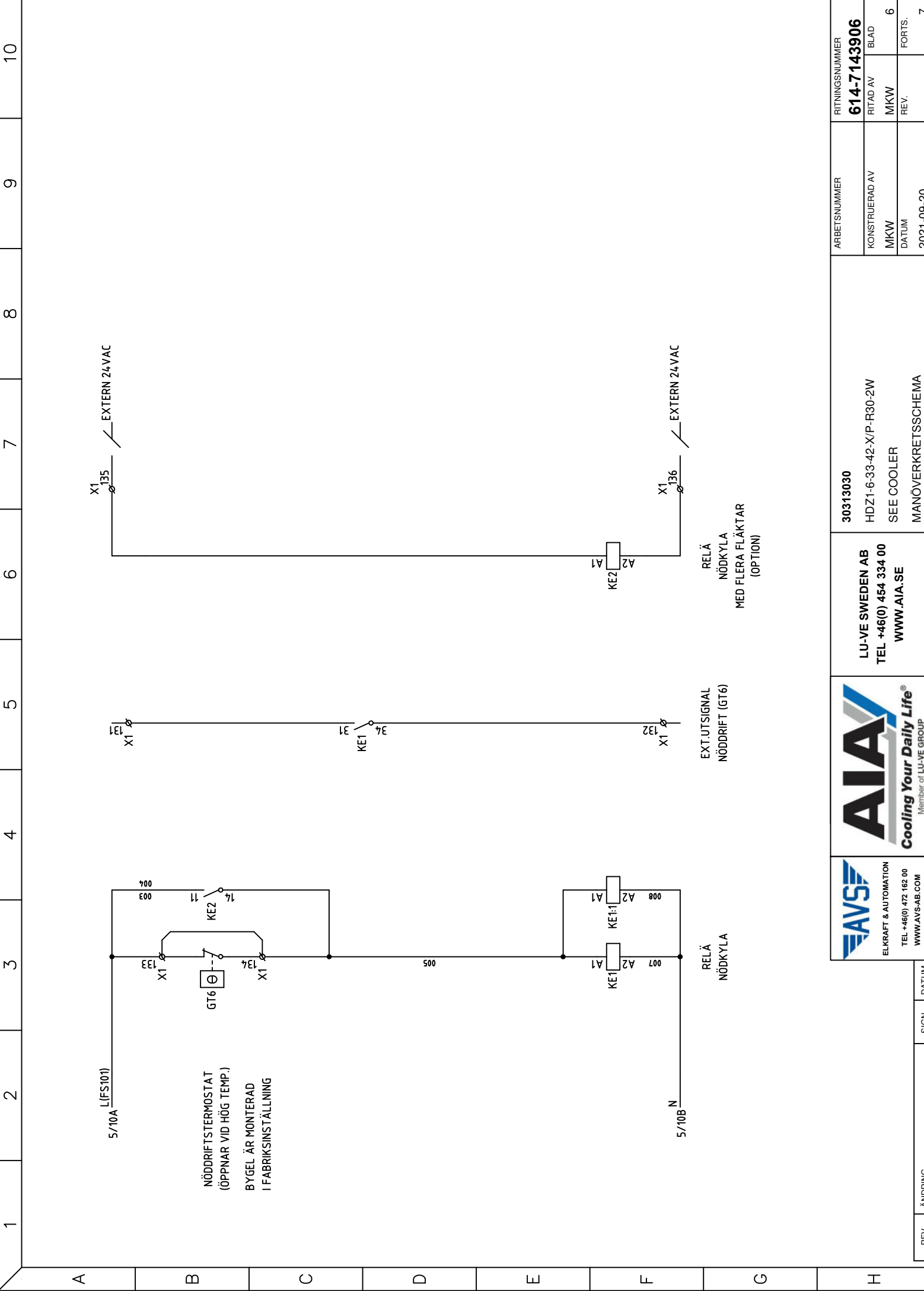
|                |               |
|----------------|---------------|
| ARBETSNUMMER   | RITINGSNUMMER |
| KONSTRUERAD AV | 614-7143906   |
| MKW            | RITAD AV      |
| DATUM          | MKW           |
| 2021-09-20     | REV.          |
|                | 4             |
|                | FORTS.        |
|                | 5             |



|      |         |       |       |
|------|---------|-------|-------|
| REV. | ÄNDRING | SIGN. | DATUM |
|      |         |       |       |

|                         |                       |                       |              |
|-------------------------|-----------------------|-----------------------|--------------|
| 30313030                | LU-VE SWEDEN AB       | LU-VE SWEDEN AB       | 30313030     |
| HDZ1-6-33-42-X/P-R30-2W | TEL +46(0) 454 334 00 | TEL +46(0) 472 162 00 | ARBETSNUMMER |
| SEE COOLER              | WWW.AIA.SE            | WWW.AVS-AB.COM        | RITAD AV     |
| MANÖVERKRETSSCHEMA      | Member of LU-VE GROUP | Member of LU-VE GROUP | MKW          |
|                         |                       |                       | REV.         |
|                         |                       |                       | 5            |
|                         |                       |                       | 6            |

|                         |             |
|-------------------------|-------------|
| 30313030                | 614-7143906 |
| HDZ1-6-33-42-X/P-R30-2W | BLAD        |
| SEE COOLER              | MKW         |
| MANÖVERKRETSSCHEMA      | REV.        |
|                         | 2021-09-20  |
|                         | FORTS.      |
|                         | 6           |



|   |   |   |   |   |   |   |   |   |    |
|---|---|---|---|---|---|---|---|---|----|
| 1 | 2 | 3 | 4 | 5 | 6 | 7 | 8 | 9 | 10 |
|---|---|---|---|---|---|---|---|---|----|

|   |   |   |   |   |   |   |   |
|---|---|---|---|---|---|---|---|
| A | B | C | D | E | F | G | H |
|---|---|---|---|---|---|---|---|

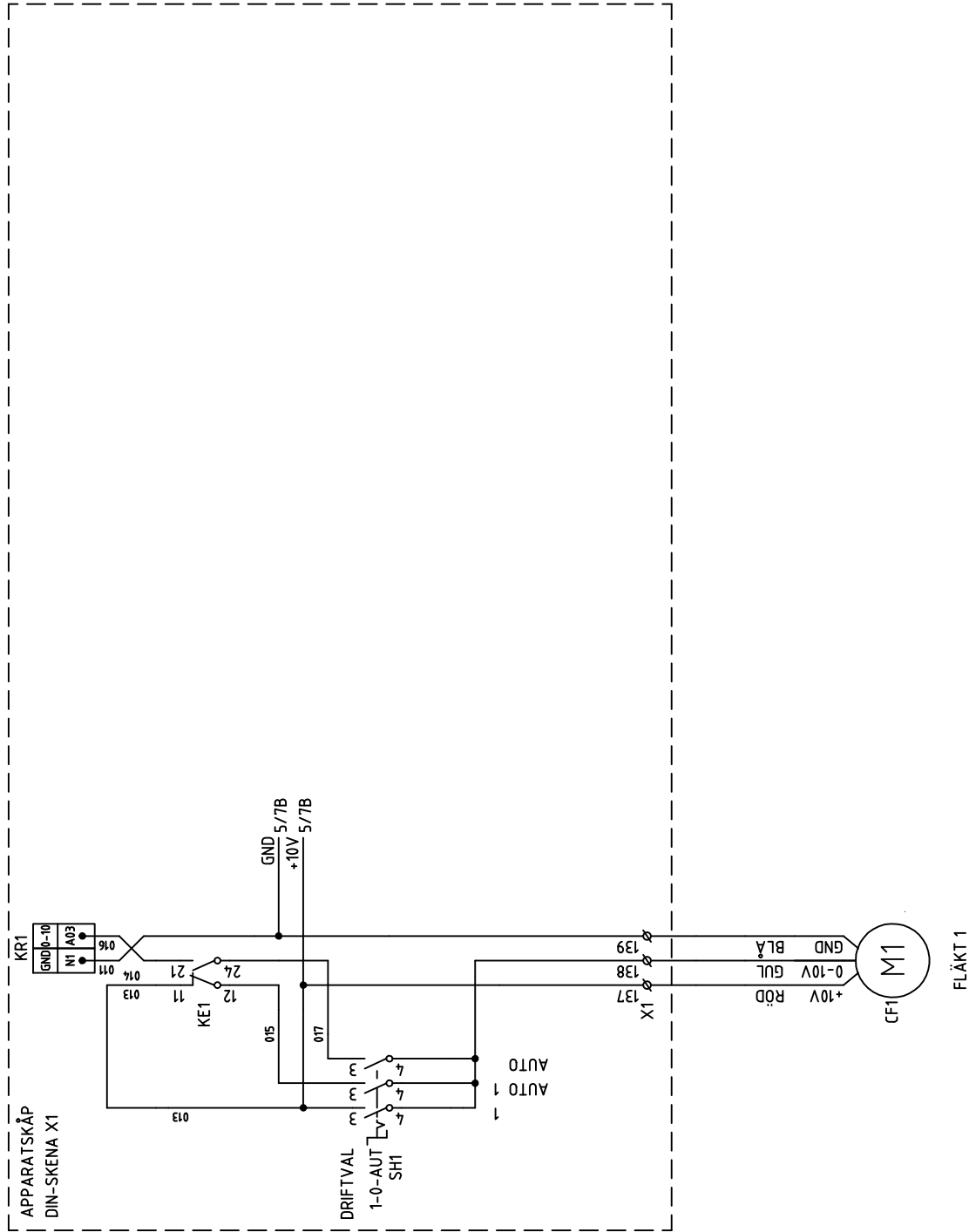
|      |         |       |       |
|------|---------|-------|-------|
| REV. | ÄNDRING | SIGN. | DATUM |
|------|---------|-------|-------|

|                                                        |                                       |                    |
|--------------------------------------------------------|---------------------------------------|--------------------|
| 30313030                                               | 30313030                              | 30313030           |
| LU-VE SWEDEN AB<br>TEL +46(0) 454 334 00<br>WWW.AIA.SE | HDZ1-6-33-42-X/P-R30-2W<br>SEE COOLER | MANÖVERKRETSSCHEMA |

|                                                  |                                   |                 |
|--------------------------------------------------|-----------------------------------|-----------------|
| RELÄ<br>NÖDKYLA<br>MED FLERA FLÄKTAR<br>(OPTION) | RELÄ<br>NÖDKYLA<br>NÖDDRIFT (GT6) | RELÄ<br>NÖDKYLA |
|--------------------------------------------------|-----------------------------------|-----------------|

|                       |               |               |
|-----------------------|---------------|---------------|
| ARBETSNUMMER          | RITINGSNUMMER | RITINGSNUMMER |
| KONSTRUERAD AV<br>MKW | 614-7143906   | 614-7143906   |
| DATUM<br>2021-09-20   | REV.<br>MKW   | BLAD<br>6     |
|                       |               | FORTS.<br>7   |

|                                                                 |     |                                                   |
|-----------------------------------------------------------------|-----|---------------------------------------------------|
| AVS                                                             | AIA | Cooling Your Daily Life®<br>Member of LU-VE GROUP |
| ELKRAFT & AUTOMATION<br>TEL +46(0) 472 162 00<br>WWW.AVS-AB.COM |     |                                                   |



A B C D E F G H

1 2 3 4 5 6 7 8 9 10

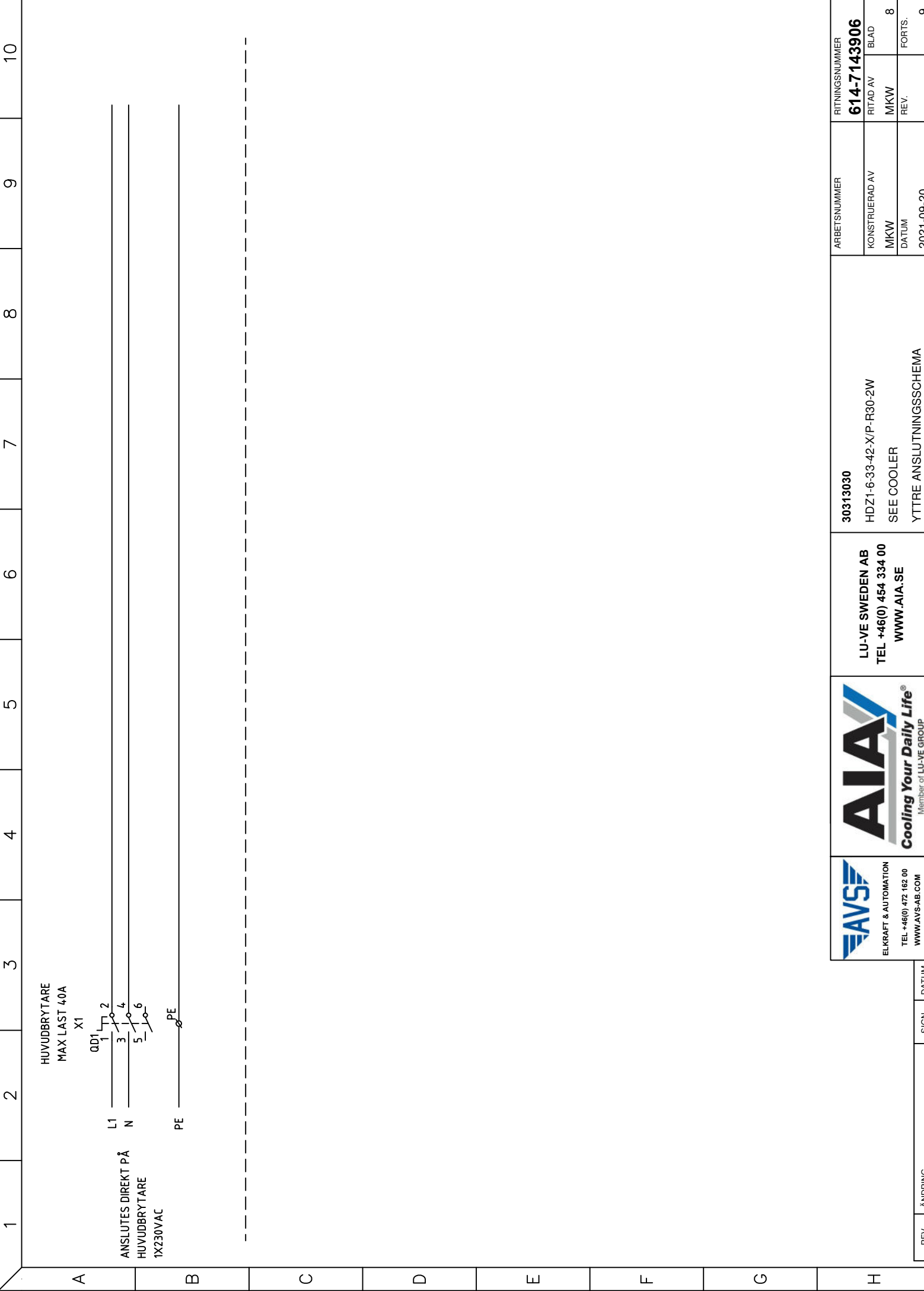


**LU-VE SWEDEN AB**  
 TEL +46(0) 454 334 00  
 WWW.AIA.SE

**30313030**  
 HDZ1-6-33-42-X/P-R30-2W  
 SEE COOLER  
 MANÖVERKRETSSCHEMA

|                |                    |
|----------------|--------------------|
| ARBETSNUMMER   | RITINGSNUMMER      |
| KONSTRUERAD AV | <b>614-7143906</b> |
| MKW            | RITAD AV           |
| DATUM          | BLAD               |
| 2021-09-20     | MKW                |
|                | REV.               |
|                | 7                  |
|                | FORTS.             |
|                | 8                  |

|      |         |       |       |
|------|---------|-------|-------|
| REV. | ÄNDRING | SIGN. | DATUM |
|      |         |       |       |



HUVUDBRYTARE  
MAX LAST 40A

X1

QD1

1 2

3 4

5 6

L1

N

PE

ANSLUTES DIREKT PÅ  
HUVUDBRYTARE  
1X230VAC

PE



LU-VE SWEDEN AB  
TEL +46(0) 454 334 00  
WWW.AIA.SE

30313030

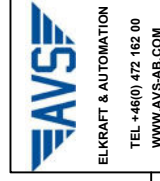
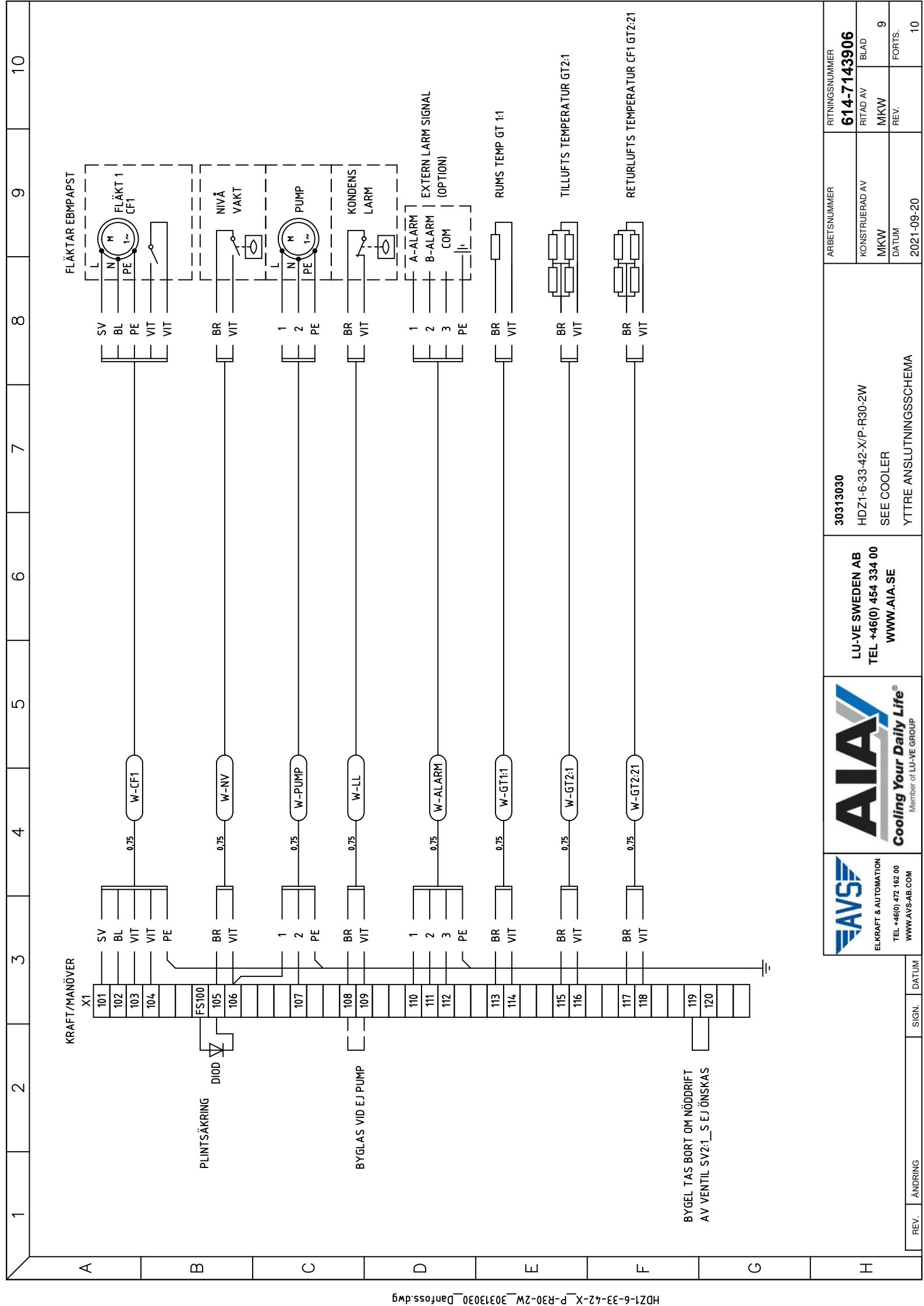
HDZ1-6-33-42-X/P-R30-2W  
SEE COOLER  
YTTRE ANSLUTNINGSSCHEMA

|                |            |
|----------------|------------|
| ARBETSNUMMER   |            |
| KONSTRUERAD AV | MKW        |
| DATUM          | 2021-09-20 |

|               |             |
|---------------|-------------|
| RITINGSNUMMER | 614-7143906 |
| RITAD AV      | BLAD        |
| MKW           | 8           |
| REV.          | FORTS.      |
|               | 9           |

|   |   |   |   |   |   |   |   |   |    |
|---|---|---|---|---|---|---|---|---|----|
| 1 | 2 | 3 | 4 | 5 | 6 | 7 | 8 | 9 | 10 |
|---|---|---|---|---|---|---|---|---|----|

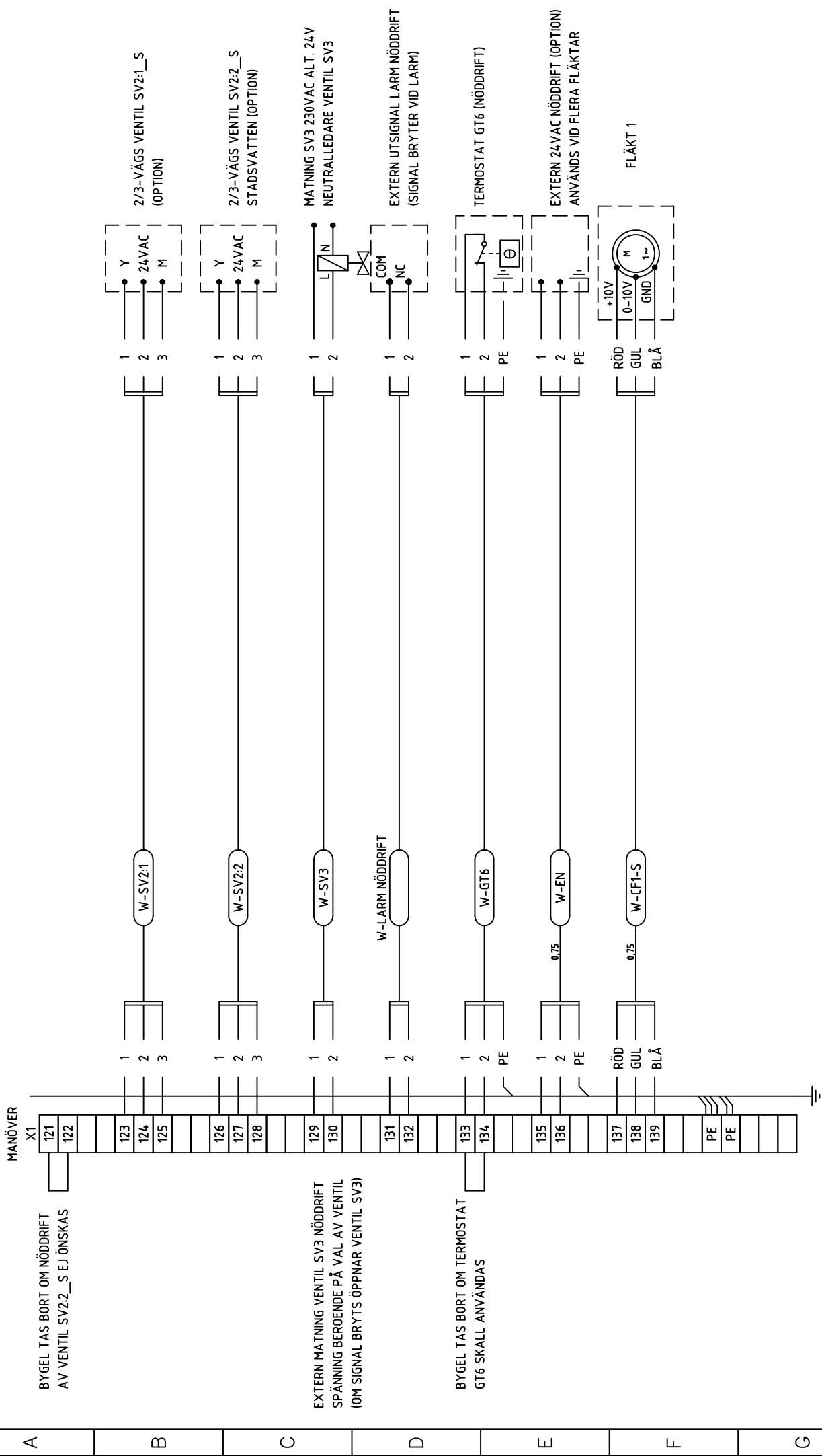




**LU-VE SWEDEN AB**  
TEL +46(0) 454 334 00  
WWW.AIA.SE

**30313030**  
HDZ1-6-33-42-X/P-R30-2W  
SEE COOLER  
YTTRE ANSLUTNINGSSCHEMA

|                |                |             |
|----------------|----------------|-------------|
| ARBETSNUMMER   | RITNINGSNUMMER | 614-7143906 |
| KONSTRUERAD AV | RITAD AV       | BLAD        |
| MKW            | MKW            | 9           |
| DATUM          | REV.           | FORTS.      |
| 2021-09-20     |                | 10          |



|   |   |   |   |   |   |   |   |   |    |
|---|---|---|---|---|---|---|---|---|----|
| 1 | 2 | 3 | 4 | 5 | 6 | 7 | 8 | 9 | 10 |
|---|---|---|---|---|---|---|---|---|----|

|                                                                     |                                                       |                                                               |                                                                                     |                     |                                     |
|---------------------------------------------------------------------|-------------------------------------------------------|---------------------------------------------------------------|-------------------------------------------------------------------------------------|---------------------|-------------------------------------|
| <br>ELKRAFT & AUTOMATION<br>TEL +46(0) 472 162 00<br>WWW.AVS-AB.COM | <br>Cooling Your Daily Life®<br>Member of LU-VE GROUP | <b>LU-VE SWEDEN AB</b><br>TEL +46(0) 454 334 00<br>WWW.AIA.SE | <b>30313030</b><br>HDZ1-6-33-42-X/P-R30-2W<br>SEE COOLER<br>YTTRE ANSLUTNINGSSCHEMA | ARBETSNUMMER        | RITINGSNUMMER<br><b>614-7143906</b> |
|                                                                     |                                                       |                                                               |                                                                                     | DATUM<br>2021-09-20 | RITAD AV<br>MKW                     |